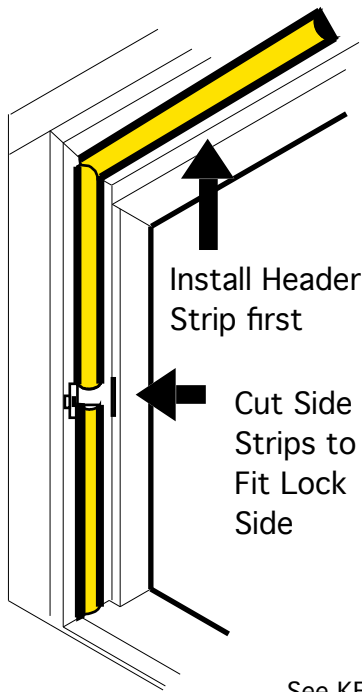
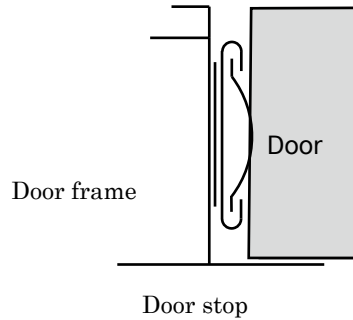


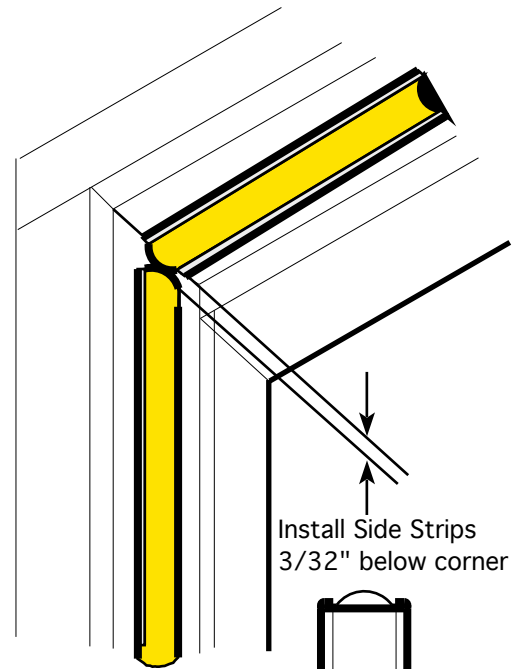
PEEL N STICK® Brass Seal Installation for Doors



Placement of Brass Seal Strip



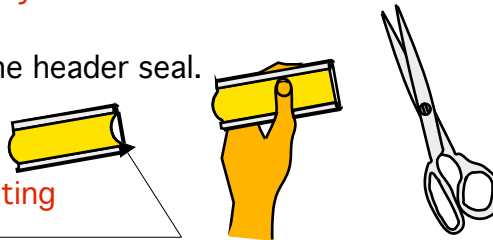
See KEL-EEZ at www.kel-eezweathization.com



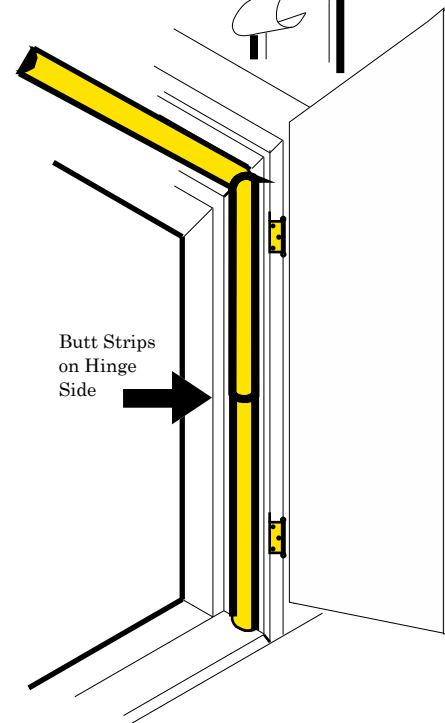
PEEL N STICK Brass Door Seal Installation

1. Remove all foreign materials. Clean the frame area where the PEEL N STICK adhesive will be bonded.
2. The surface should be clean smooth, flat and dry before proceeding.
3. The clearance between the door and door frame should be approximately 1/8". and not less than 1/16".
4. The shortest strip is the header seal.

Hold the brass insert flat with your thumb while cutting with scissors



5. Remove the protective cover from the adhesive and install the header first. See cross sectional view above for placement
6. Install side frame strips as above.
7. Close door for 20 minutes to give an even pressure on header (top) and sides. The PEEL N STICK adhesive bond strength will build to full strength in 24 hrs. at 70° F.



The Protective Cover

KEL-EEZ® Weatherstripping Bldg One The Die-Gem Way Akron Oh 44312-1539
Copyright KEL-EEZ 1971 - 2008 All Rights Reserved

1 800 346-1995